



### V7-1S17D8-022



*Actual product appearance may vary.*

**V7 Series Miniature Basic Switch, Single Pole Double Throw Circuitry, 100 mA at 125 Vac, Straight Lever Actuator, 0,83 N [3.0 oz] Maximum Operating Force, Gold Contacts, Quick Connect Termination**

#### V7 Series Features

- World-wide package size acceptance
- Current rating ranges from 0.1 A to 25 A
- Wiping contact action
- Temperature range to 177 °C [350 °F]
- Long mechanical life
- Elongated mounting holes for easier, more accurate mounting
- UL/CSA recognized, ENEC (European) approval available
- Choice of actuation, termination and operating characteristics

#### Potential Applications

- Appliances
- Vending machines
- Timing devices
- Office equipment
- Computer/business equipment
- Test instruments
- Medical/dental equipment
- Communications equipment
- HVAC equipment
- Manually operated devices
- Valves
- Gaming equipment
- Pressure switches

#### Description

MICRO SWITCH™ V5 and V7 Series basic switches are used for simple or precision on/off, end of limit, presence/absence, pressure, temperature and manual operator interface application needs.

Product Specifications	
Switch Type	MICRO SWITCH™ Miniature 15,9 mm H x 10,2 mm W x 28,8 mm L [0.63 in H x 0.4 in W x 1.14 in L]
Sealed	No
Ampere Rating	0.1 A
Circuitry	Single Pole Double Throw (SPDT)
Actuator	Straight Lever
Termination	Quick Connect
Operating Temperature Range	-40 °C to 82 °C [-40 °F to 180 °F]
Voltage	125 Vac
Approvals	CSA,UL,ENEC
Actuator Length	35,6 mm [1.40 in]
Contact Type	Gold Plated Silver

Operating Force (O.F.)	0,83 N [3.0 oz] max.
Release Force (R.F.)	0,08 N [0.3 oz] min.
Pretravel (P.T.)	3,05 mm [0.120 in] max.
Overtravel (O.T.)	2,16 mm [0.085 in] min.
Differential Travel (D.T.)	0,76 mm [0.030] max.
Operating Position (O.P.)	15,2 ± 1,143 mm [0.600 ± 0.045 in]
Housing Material	PCT PolyesterThermoplastic
High Temperature	85 °C [185 °F]
UL File #	E12252
CSA File #	LR41370
Agency Approvals and Standards	1054
Mounting Centers	22,2 mm [0.88 in]
Maximum Tightening Torque	0,56 N m [5.0 in lb]
Weight	8 g [0.3 oz]
Package Height	16 mm [0.63 in]
Package Width	10,2 mm [0.40 in]
Package Length	27,7 mm [1.09 in]
Availability	Global
UNSPSC Code	30211905
UNSPSC Commodity	30211905 Snap switches
Series Name	V7

**MICRO SWITCH**  
a Honeywell Division

FED. MFG. CODE 91 929

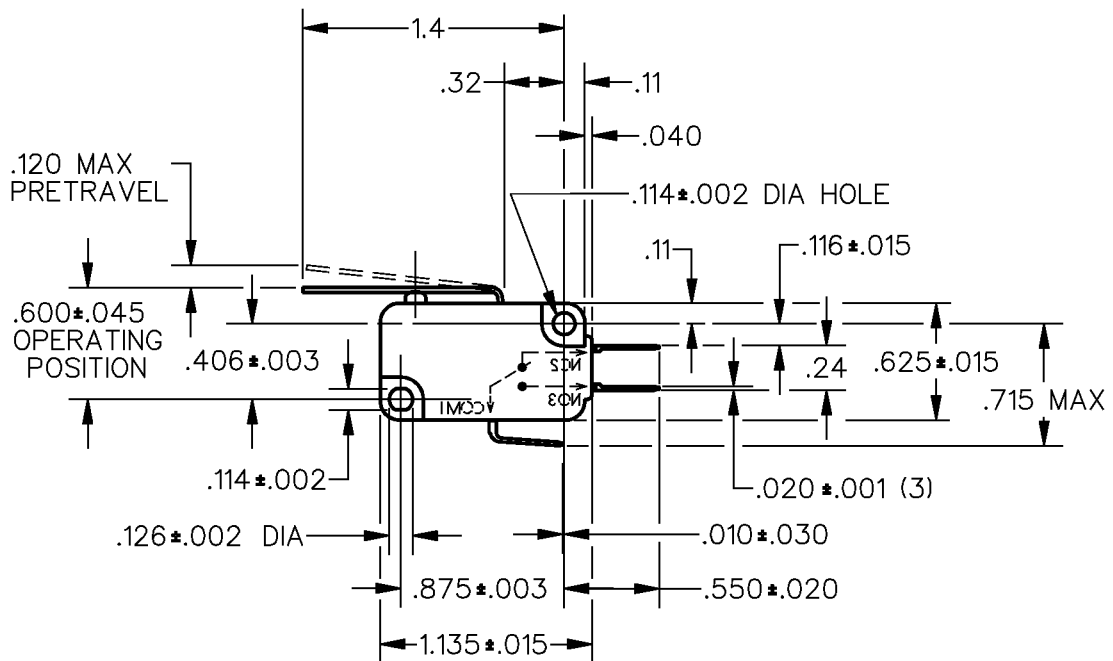
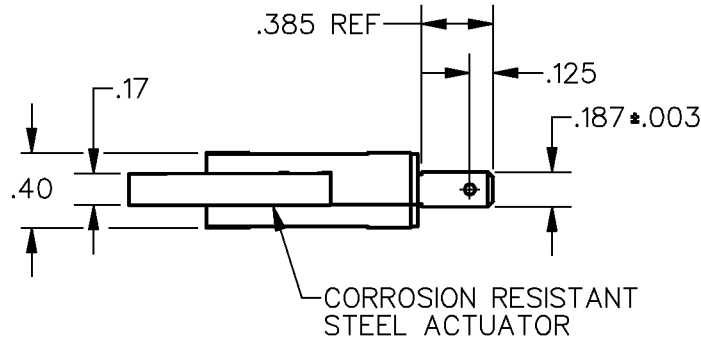
SWITCH-BASIC

CATALOG LISTING

V7-1S17D8-022

CW-B8645

CATALOG LISTING  
V7-1S17D8-022  
PAGE 1 OF 1  
RELEASE NO. PR-18499  
REPLACES  
ISSUE  
5



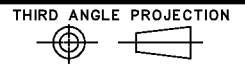
NOTES  
1 - IN INSPECTION, DO NOT BURN OUT - GOLD CONTACTS  
2 - IN INSPECTION, DO NOT EXCEED 10 VDC, .1A RESISTIVE LOAD

REVISIONS

A	CO-76416	J A L	30 NOV 93
B	CO-77116	DCS	31 MAR 94
C	CO82776	J A F	5 APR 96
D	CO-93311	TSM	22 OCT 98

FORMTEK  
DRAWN  
W L S 13 AUG 90  
CHECK  
W J C 27 AUG 90  
CHECK  
W L S 13 AUG 90  
CHECK

THIS DRAWING COVERS A PROPRIETARY ITEM AND IS THE PROPERTY OF MICRO SWITCH, A DIVISION OF HONEYWELL. THIS DRAWING IS NOT TO BE COPIED OR USED WITHOUT THE APPROVAL OF MICRO SWITCH.



CHARACTERISTICS	ELECTRICAL DATA	SCALE	FULL	DO NOT SCALE PRINT
OPERATING FORCE-----85 GRAM MAX	CONTACT ARRANGEMENT S P D T	<b>UNLESS OTHERWISE SPECIFIED TOLERANCES ARE</b>		
RELEASE FORCE -----8 GRAM MIN	0.1A 125 VAC L142	ONE PLACE (.0)	± .030	
DIFFERENTIAL TRAVEL-----.030 MAX		TWO PLACE (.00)	± .015	
OVERTRAVEL-----.085 MIN		THREE PLACE (.000)	± .005	
RELEASE TRAVEL -----.017 MIN		ANGLES	±	
		WEIGHT		